

### Features

- Unique rainhead design reveals faucet stream flowing into wide-nozzle face plate, releasing a thick curtain of water.
- Full Coverage Rain uses gravity to deliver a soft flow of water, providing a gentle spray experience reminiscent of natural rainfall.
- Self-leveling ball joint keeps rainhead parallel to the ground for steady coverage.
- Optimized sprayface for maximum performance.
- 2.5 gpm (9.5 lpm) maximum flow rate at 45 psi (3.1 bar).

### Material

- Premium material construction for durability and reliability.
- KOHLER finishes resist corrosion and tarnishing.

### Installation

- 1/2 -14 NPT connection.
- Requires ceiling-mount single-function rainhead arm and flange (sold separately).

### Required Products/Accessories

K-26319 3" ceiling-mount rainhead arm and flange

or

K-26320 6" ceiling-mount rainhead arm

or

K-26321 12" ceiling-mount rainhead arm and flange

or

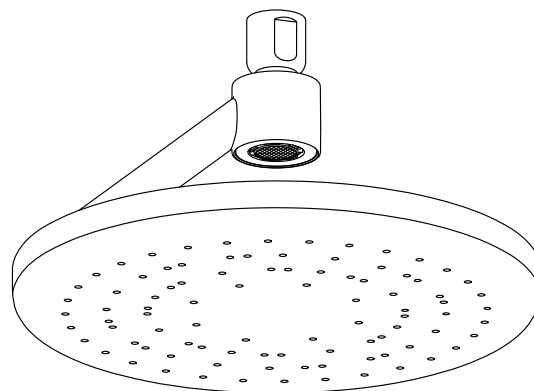
K-26322 16" wall-mount rainhead arm and flange

or

K-26307 19" wall-mount rainhead arm and flange

### Recommended Products/Accessories

K-23723 Faucet cleaner



### Codes/Standards

ASME A112.18.1/CSA B125.1


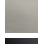


DOE - Energy Policy Act 1992

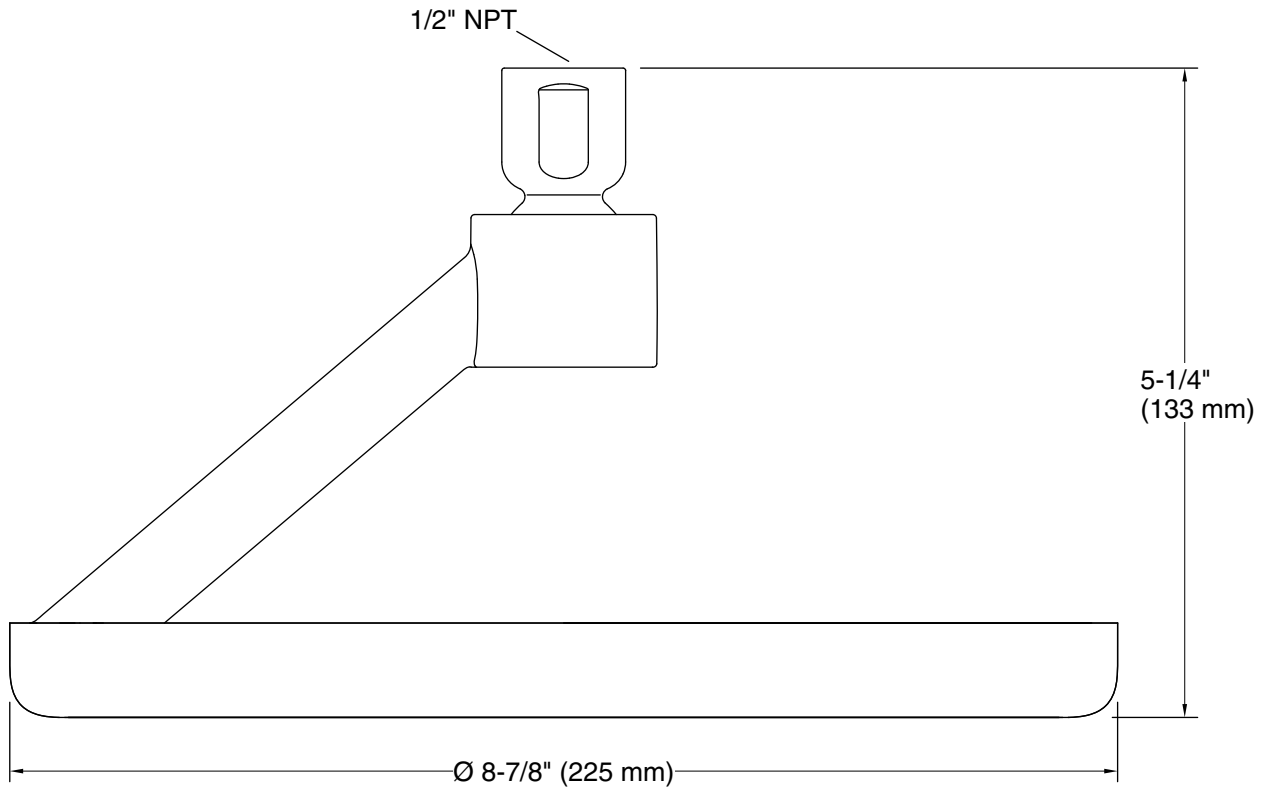
### KOHLER® Faucet Lifetime Limited Warranty

See website for detailed warranty information.

### Available Colors/Finishes

*Color tiles intended for reference only.*

Color	Code	Description
	CP	Polished Chrome
	BN	Vibrant® Brushed Nickel
	BL	Matte Black
	2MB	Vibrant® Brushed Moderne Brass



**Technical Information**

All product dimensions are nominal.

**Showerhead/Body Spray:**

Rated maximum flow: 2.5 gal/min (9.5 l/min)

Pressure: 45 psi (3.1 bar)